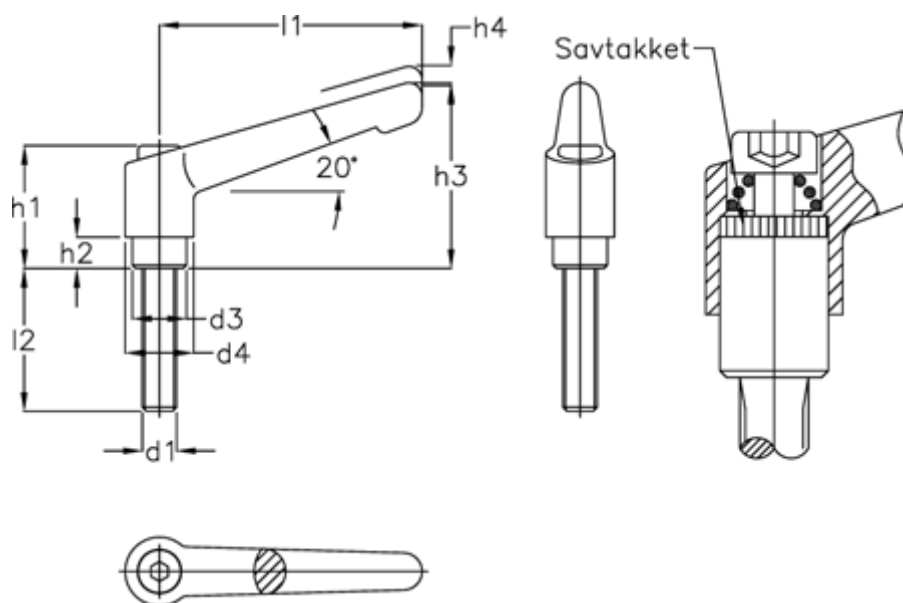


Article number: 201145951

Description: E+G adjustable hand lever  
GN 300-45-M5-16-RH uncoated

## Measures



d1 = M 5  
d3 = 10  
d4 = 13  
h1 = 24,5  
h2 = 4  
h3 = 35  
h4 = 3,5  
l1 = 45

l2 = 16